

- Connection of up to 50 access points for WLC-15
- Connection of up to 150 access points for WLC-30
- Access points monitoring
- WPA/WPA2/WPA3 Enterprise, WPA/WPA2/WPA3 Personal user authorization

WLC-15, WLC-30, WLC-3200 are controllers for the stand-alone management of wireless networks for small- and medium-sized enterprises. The devices allow quick configuring of a Wi-Fi network and adding ELTEX access points of different performance and purpose to it.

The controllers provide monitoring of all access points, analyze traffic statistics and session time, perform individual Wi-Fi settings.

Enterprise user authorisation with traffic encryption is performed by login/password. Depending on the objectives and network layout, this solution allows connecting up to 50 access points for WLC-15 and 150 access points for WLC-30.



WLC-15



WLC-30



WLC-3200

Technical features

| | WLC-15 | WLC-30 | WLC-3200 |
|--|---|--------|------------------------|
| Interfaces | | | |
| Ethernet 10/100/1000BASE-T (LAN/WAN) | 4 | 4 | – |
| Ethernet 1000BASE-X SFP | 2 | – | – |
| 10GBASE-R SFP+/1000BASE-X (LAN/WAN) | – | 2 | – |
| 1000BASE-X/10GBASE-R/25GBASE-R (LAN/WAN) | – | – | 12 |
| Console (RJ-45) | 1 | 1 | 1 |
| OOB | – | – | 1 |
| USB 3.0 | – | 1 | – |
| USB 2.0 | 1 | 1 | 1 |
| HDD slot | 1 | 1 | 1 |
| MicroSD slot | – | 1 | 1 |
| System features | | | |
| VPN tunnels | 10 | 250 | 500 |
| Static routes | 1K | 11K | 11K |
| Concurrent sessions | 4K | 256K | 512K |
| VLAN support | up to 4K active VLANs according to 802.1Q | | |
| BGP routes | 1M | 2.5M | 5M |
| OSPF routes | 30K | 300K | 500K |
| RIP routes | 1K | 10K | 10K |
| MAC table | 2K entries per bridge | | 16K entries per bridge |
| FIB base | 1M | 1.4M | 1.7M |
| VRF Lite | 32 | | |

Technical features (continued)

| | WLC-15 | WLC-30 | WLC-3200 |
|---|------------------------|--------------------|--|
| Physical specifications and environmental parameters | | | |
| Maximum power consumption | 18 W | 26 W | 118 W |
| Power supply | 100–264 V AC, 50–60 Hz | | 100–240 V AC, 50–60 Hz; 36–72 V DC (2 hot-swappable power modules) |
| Operating temperature | from 0 to +40 °C | from -10 to +45 °C | from -10 to +45 °C |
| Storage temperature | from -40 to +70 °C | | |
| Operating humidity | no more than 80% | | |
| Storage humidity | from 10 % to 95% | | |
| Dimensions (W × H × D) | 267 × 44 × 160 mm | 430 × 225 × 40 mm | 430 × 330 × 44mm |
| Weight | 1.405 kg | 2.934 kg | 5 kg |

Features and capabilities

Access points management

- Maximum number of access points: 50 for WLC-15 and 150 for WLC-30
- Maximum number of customers: 2000 for WLC-15 and 5000 for WLC-30
- WPA/WPA2/WPA3 Personal
- WPA/WPA2/WPA3 Enterprise
- Local collecting of user account information¹
- Collecting user account information to an external RADIUS server
- Integration with external portals¹
- Automatic management of radio environment resources
- Access point authorisation by certificate

Supported access points

- WEP-1L
- WEP-2L
- WEP-200L
- WEP-3ax
- WEP-30L
- WOP-2L
- WOP-20L
- WOP-30L

Interfaces

- USB 3G/4G LTE modem
- E1 TopGate SFP

Remote Access VPN clients

- PPTP/PPPoE/L2TP/OpenVPN/IPsec XAUTH

Remote Access VPN server

- L2TP/PPTP/OpenVPN/IPsec XAUTH

Site-to-site VPN

- IPsec: policy-based and route-based modes
- DMVPN
- DES, 3DES, AES, Blowfish, Camellia encryption algorithms
- IKE MD5, SHA-1, SHA-2 message authentication

Tunneling

- IPoGRE, EoGRE
- IPIP
- L2TPv3
- LT (inter VRF-lite routing)

L2 Functions

- Bridging
- LAG/LACP (802.3ad) interface aggregation
- VLAN (802.1Q) support
- Logical interfaces
- LLDP, LLDP MED
- VLAN based on MAC

L3 functions (IPv4/IPv6)

- NAT, Static NAT, ALG address translation
- Static routes
- RIPv2, OSPFv2/v3, IS-IS, BGP dynamic routing protocols
- Route filtering (prefix list)
- VRF Lite
- Policy Based Routing (PBR)
- BFD for BGP, OSPF, static routes

¹The set of functions corresponds to firmware version 1.19.1.

¹The features will be available in future firmware versions.

Features and capabilities (continued)

BRAS (IPoE)¹

- User termination
- URL black/white lists
- Quoting by traffic volume, session time, network application
- HTTP/HTTPS Proxy
- HTTP/HTTPS Redirect
- Session accounting using Netflow protocol
- Interaction with AAA, PCRF servers
- Bandwidth management by office and SSID, user sessions
- User authentication by MAC or IP addresses

Network security functions

- Intrusion Prevention/Detection System(IPS/IDS)¹
- Interaction with Eltex Distribution Manager for licensed content; rule sets provided by Kaspersky SafeStream II¹
- Web filtering by URL, by content (cookies, ActiveX, JavaScript)
- Zone-based Firewall
- Firewall filtering based on L2/L3/L4 fields and by application
- Support for Access Control Lists (ACL) based on L2/L3/L4 fields
- DoS/DDoS attack protection and alerting
- Attack event and rule triggering logging

IP Address Management (IPv4/IPv6)

- Static IP addresses
- DHCP clients
- DHCP Relay Option 82
- Built-in DHCP server, support for options 43, 60, 61, 150
- DNS resolver
- IP unnumbered

Quality of Service (QoS)

- Up to 8 priority or weighted queues per port
- L2 and L3 prioritization of traffic (802.1p (CoS), DSCP, IP Precedence (ToS))
- RED, GRED
- Priority relabeling tools
- Policy-map
- Shaping
- Hierarchical QoS
- Session marking

Network reliability tools

- VRRP v2, v3
- Route management based on VRRP state (tracking)
- Load balancing on WAN interfaces, redirecting data streams, switching at channel quality assessment
- Firewall sessions reservation

Monitoring and management

- Standard and extended SNMP MIB, RMONv1
- Built-in Zabbix agent
- User authentication by local database using RADIUS, TACACS+, LDAP protocols
- Protection against configuration errors, automatic configuration recovery. Ability to reset the configuration to factory settings
- CLI management interfaces
- Syslog support
- System resource usage monitor
- Ping, traceroute (IPv4/IPv6), output of packet information in the console
- Software upgrade, upload/download configurations via TFTP, SCP, FTP, SFTP, HTTP(S)
- NTP
- Netflow v5/v9/v10 (URL statistics export for HTTP, host for HTTPS)
- Local management via RS-232 (RJ-45) console port
- Remote management, Telnet, SSH (IPv4/IPv6)
- Services/processes information output
- Local/remote saving of configurations

SLA control functions

- Eltex SLA
Communication channel parameters:
 - Delay (one-way/two-way)
 - Jitter (one-way/two-way)
 - Packet loss (one-way/two-way)
 - Packet error rate
 - Disturbance of packet delivery sequence
- Wellink SLA (wiSLA)¹

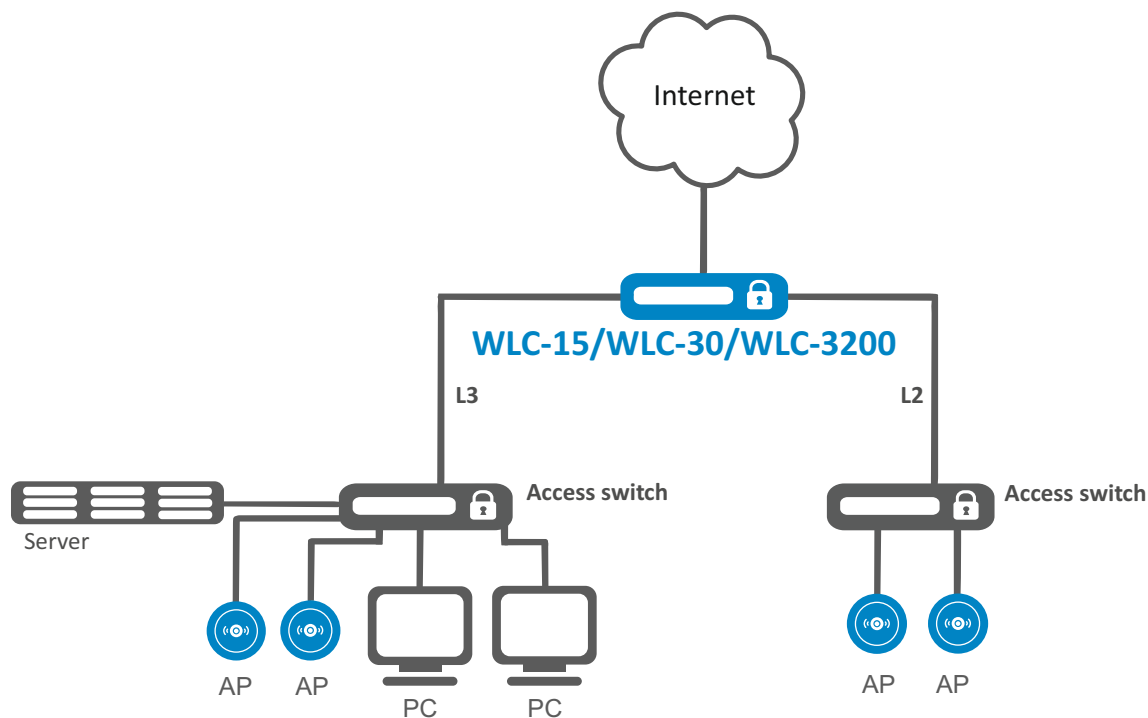
MPLS

- LDP support
- L2VPN VPWS support
- L2VPN VPLS Martini Mode support
- L2VPN VPLS Kompella Mode support
- L3VPN MP-BGP support

The set of functions corresponds to firmware version 1.19.1.

¹ Activated by license.


Use case in the corporate network



Ordering information

| Name | Description |
|-----------------|-------------------------------------|
| WLC-15 | WLC-15 wireless access controller |
| WLC-30 | WLC-30 wireless access controller |
| WLC-3200 | WLC-3200 wireless access controller |

Contact us
About ELTEX


+7 (383) 274 10 01
+7 (383) 274 48 48


eltex@eltex-co.ru


www.eltex-co.com

ELTEX Enterprise is a leading Russian developer and manufacturer of communication equipment with 30 years of history. Complete solutions and their seamless integrability into the Customer's infrastructure are the priority growth areas of the company.